

ADDENDUM NO. 1

Date: January 5, 2023
Bid Date: January 17, 2023 at 2:00 PM
Project: Courthouse Generator FEMA Project No. 4332-0279 (RFP No. 22/23-006)
Owner: Bee County
Engineer: John D. Mercer & Associates

This document represents changes to be made to the Contract Documents and/or Plans and Technical Specifications for the above referenced Project. Receipt of this Addendum must be acknowledged on the Bid Proposal by contractors submitting bids for this Project.

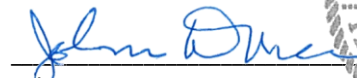
PLANS:

DELETE: Plan Sheets 1-6 with cover sheet dated by Engineer on 12/18/2022

ADD: Plan Sheets 1-6 with cover sheet dated by Engineer on 1/2/2023

The changes described above constitute all of the changes made to date to the Contract Documents and/or Plans and Technical Specifications and the changes shown herein shall become part of the official Contract Documents of the Project.

Sincerely,



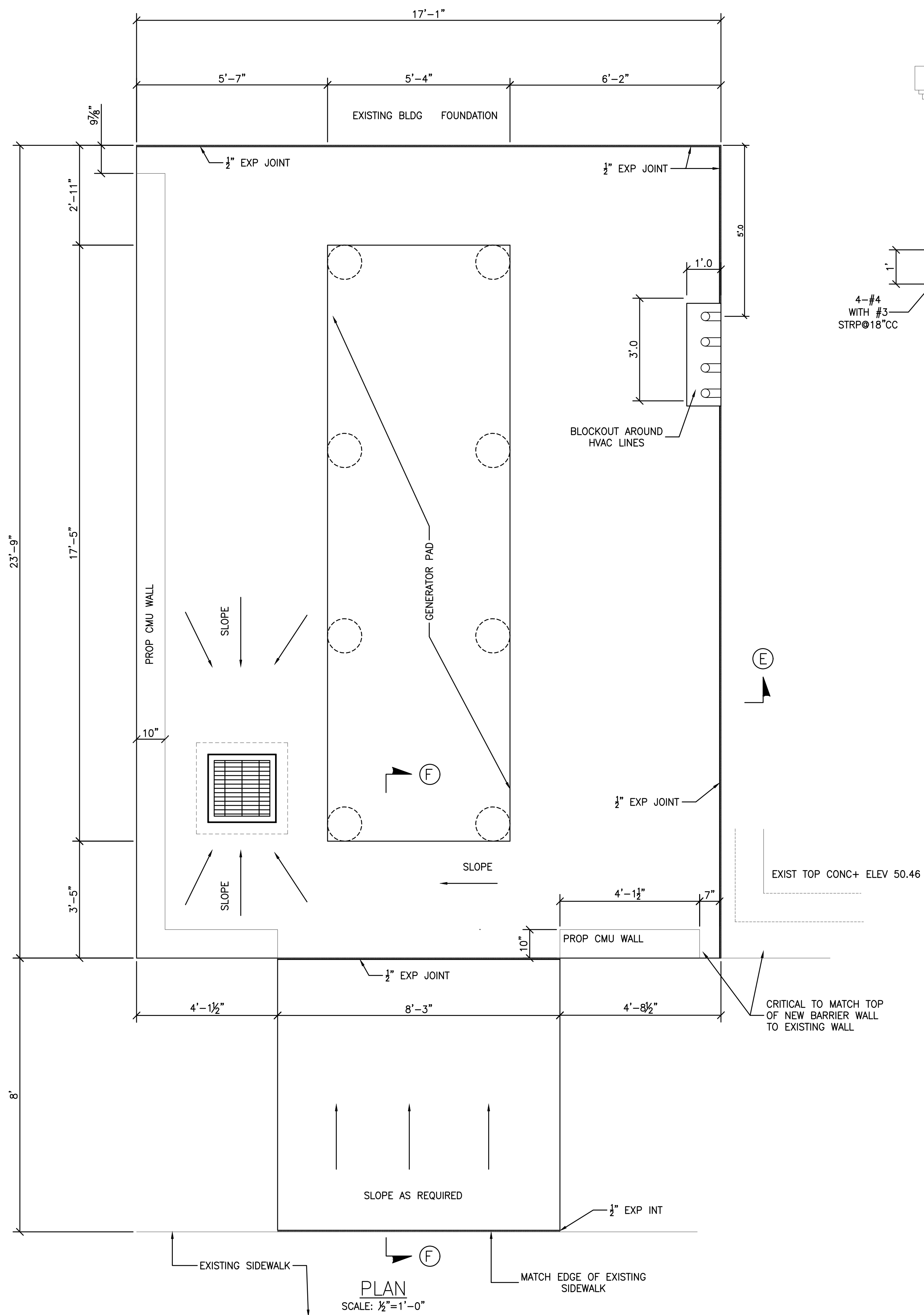
John D. Mercer, PE
John.mercer@lynngroup.com



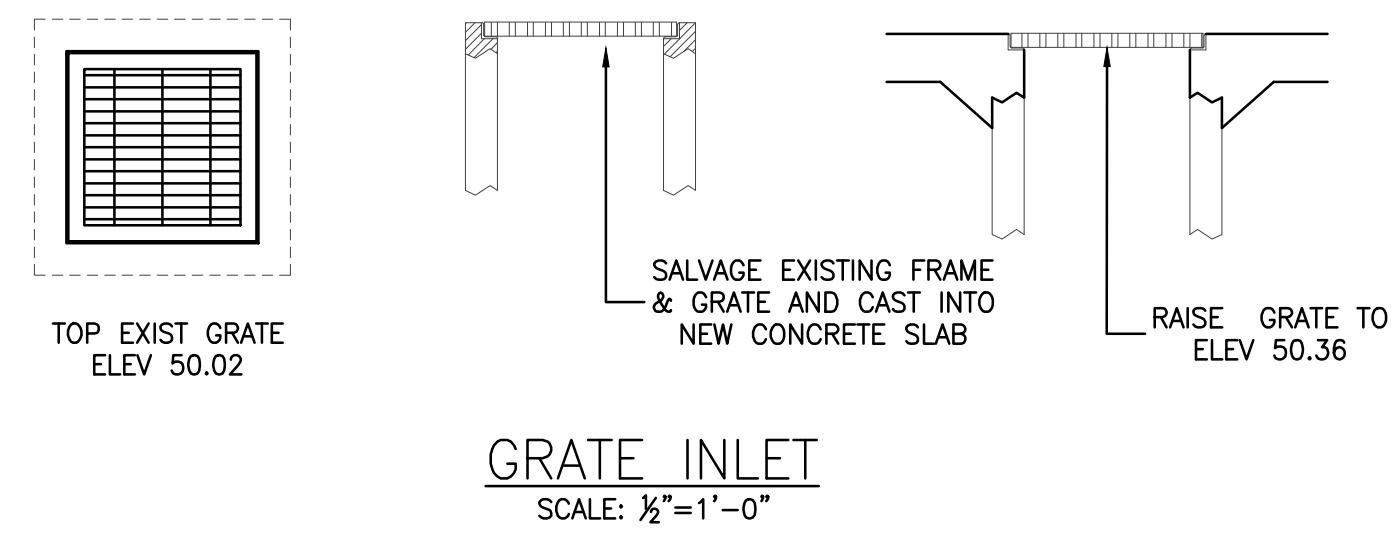
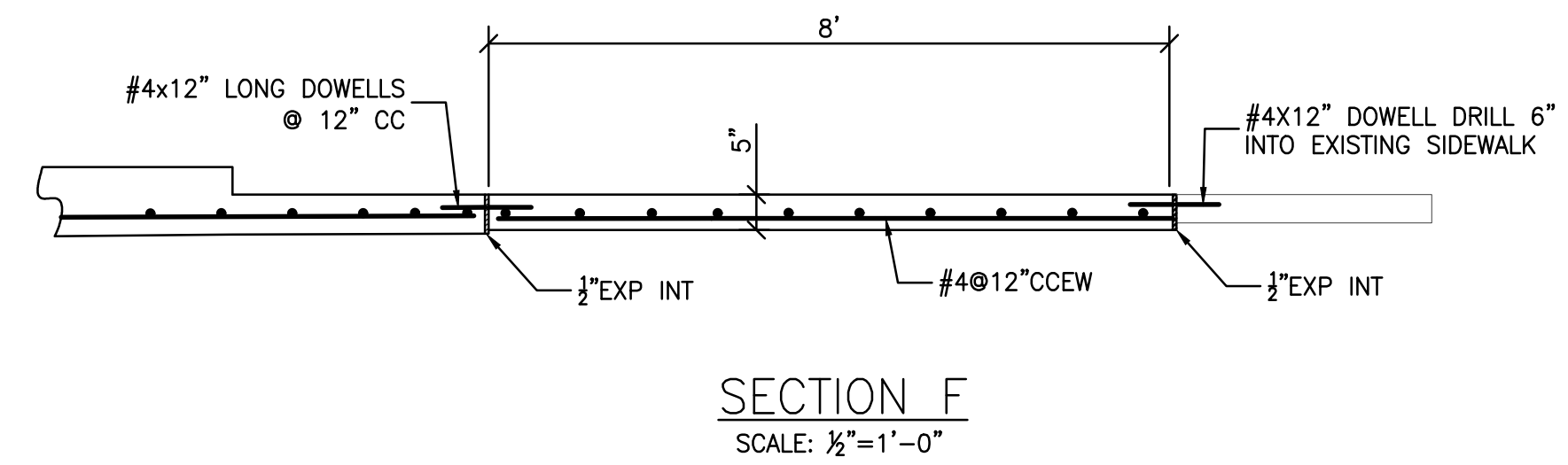
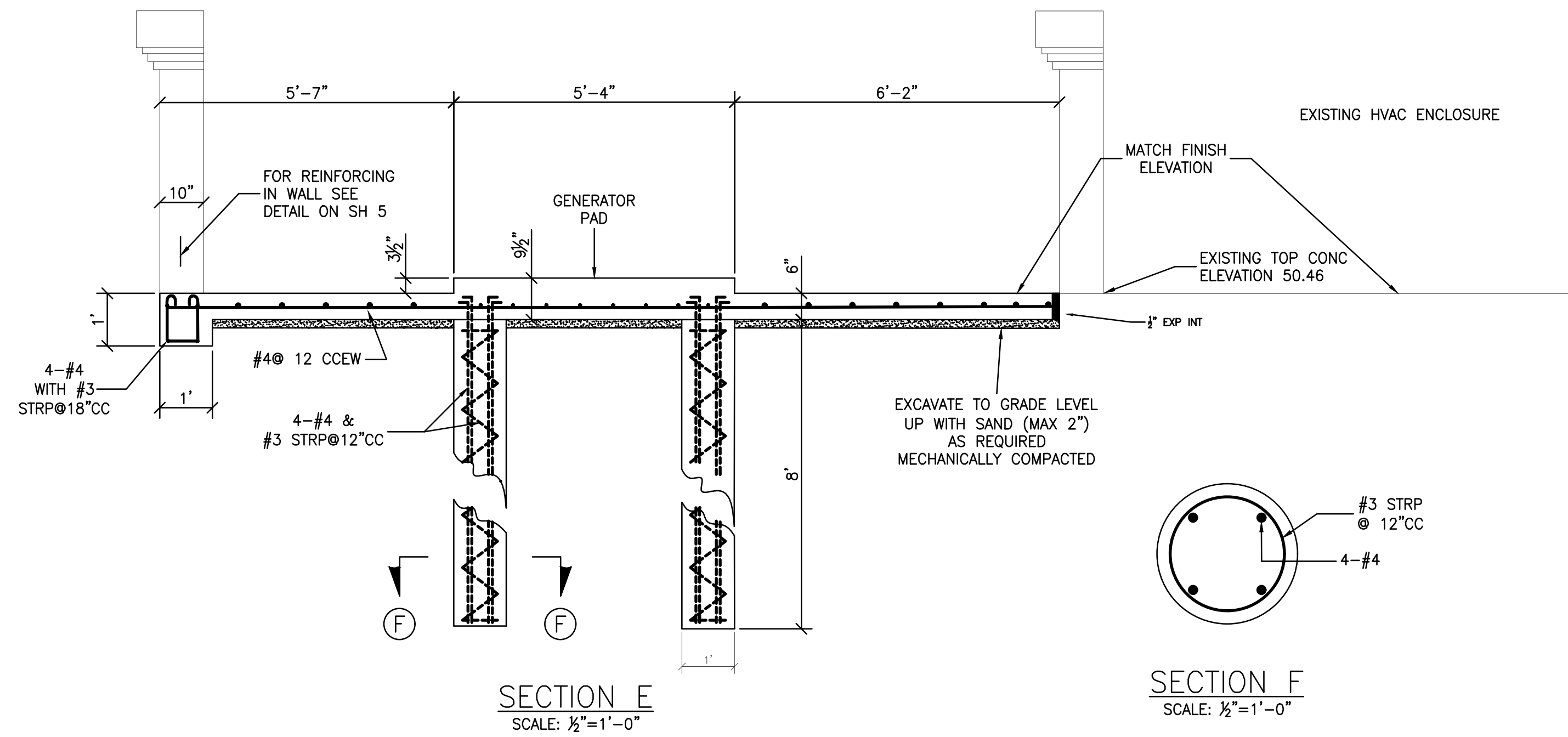
JDM/lm

attachments

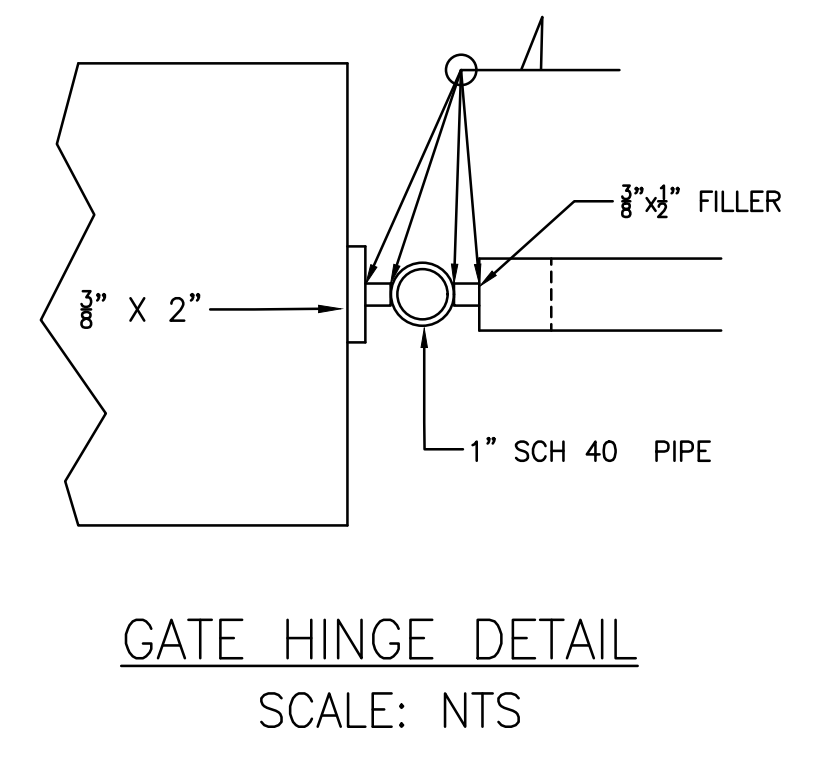
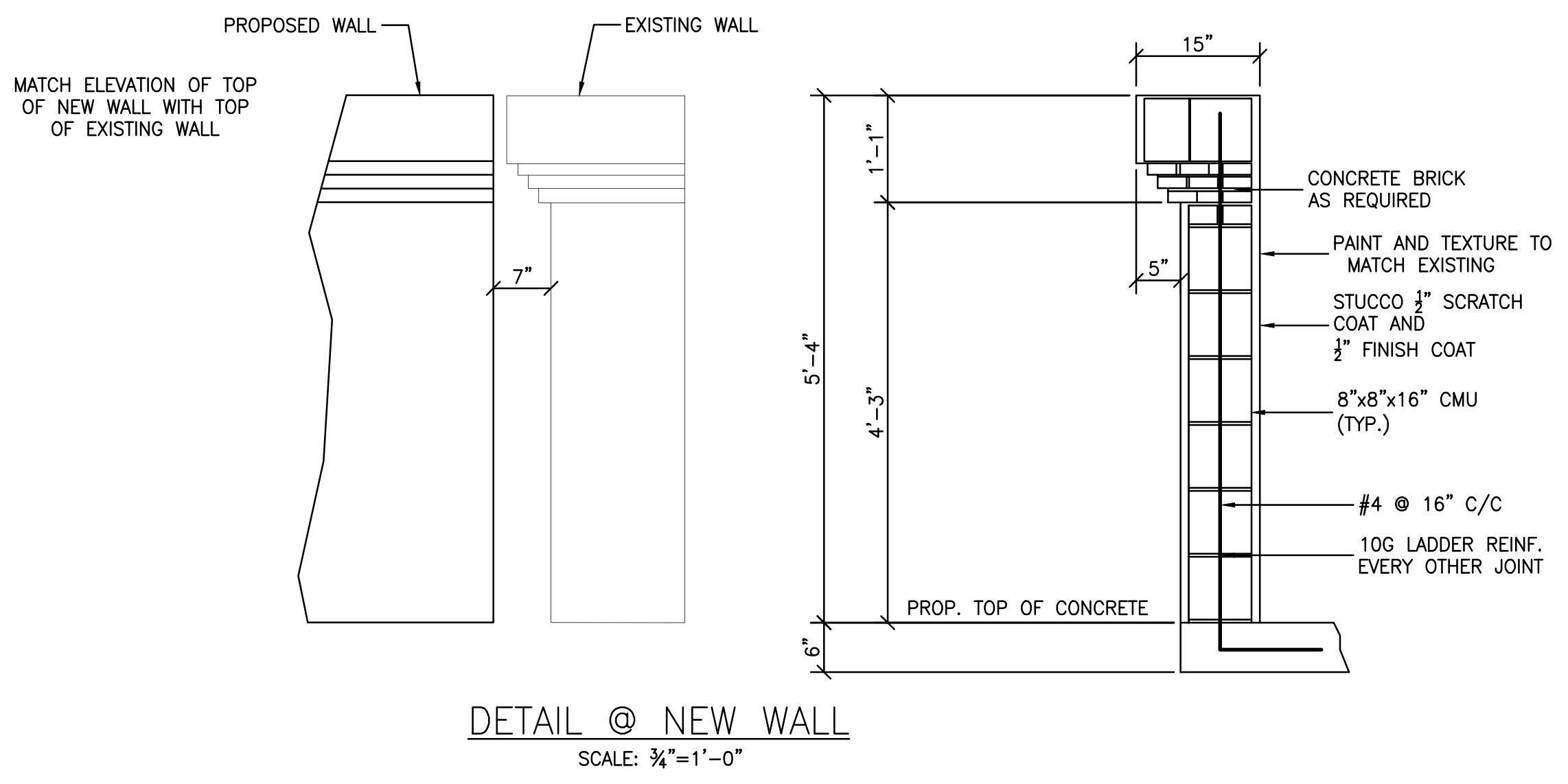
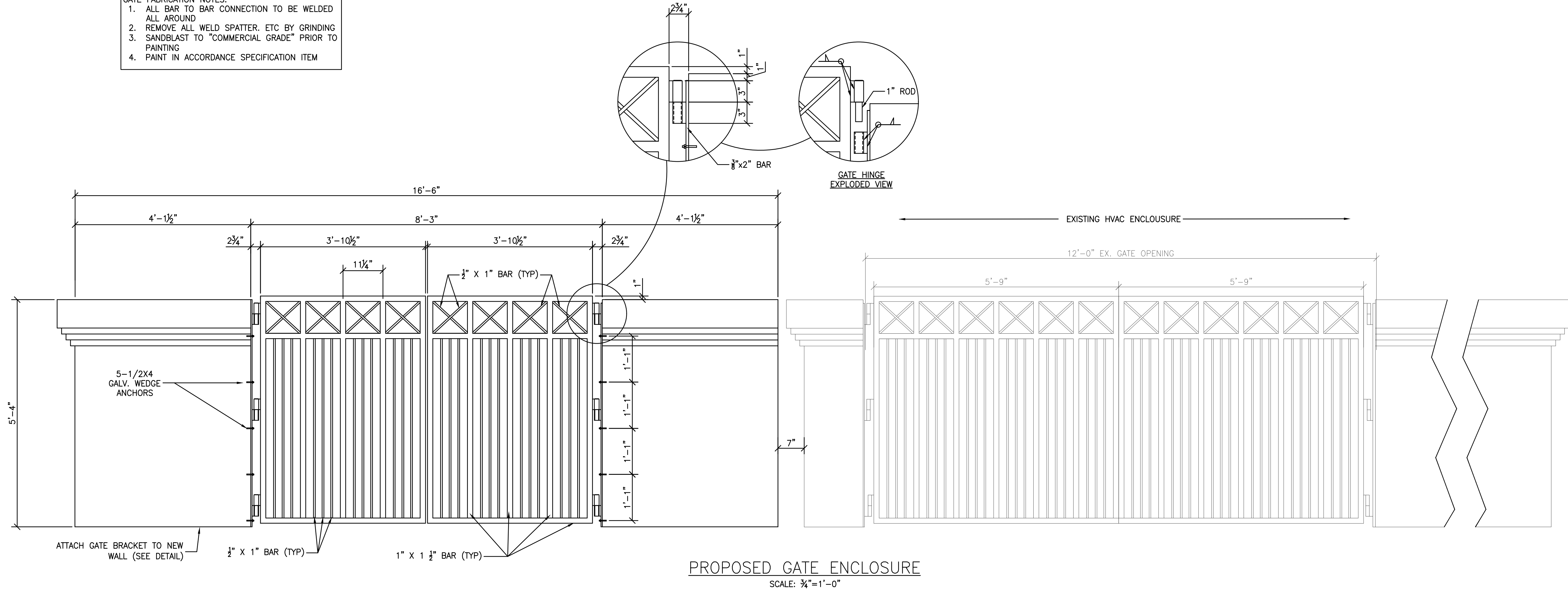
S:\ENGINEER\E2400s\E2404 BEE COUNTY COURTHOUSE GENERATOR\Bid Phase\Addendum 1\Addendum 1.docx




PROPOSED GENERATOR ENCLOSURE




- GATE FABRICATION NOTES:**
1. ALL BAR TO BAR CONNECTION TO BE WELDED ALL AROUND
 2. REMOVE ALL WELD SPATTER, ETC BY GRINDING
 3. SANDBLAST TO "COMMERCIAL GRADE" PRIOR TO PAINTING
 4. PAINT IN ACCORDANCE SPECIFICATION ITEM



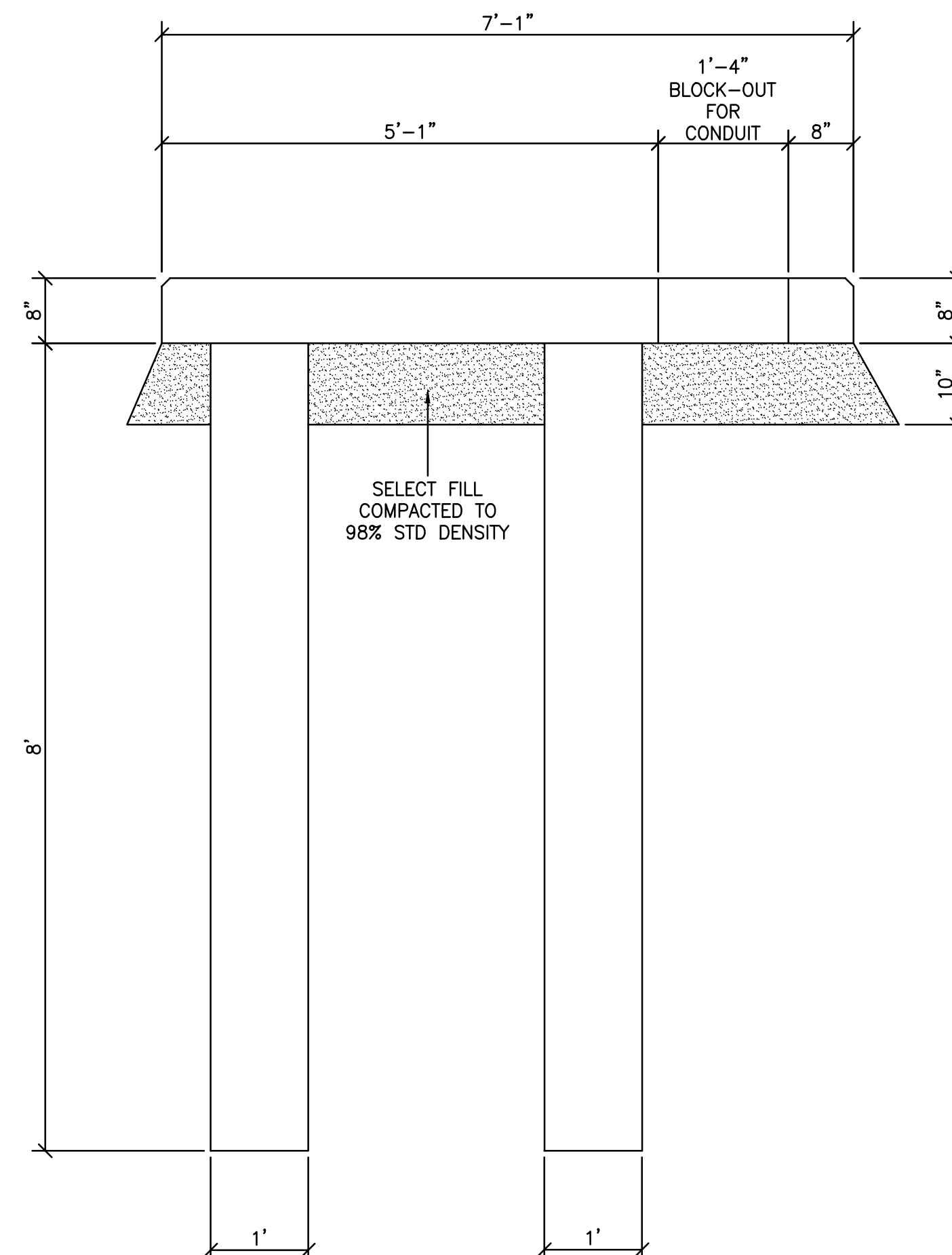
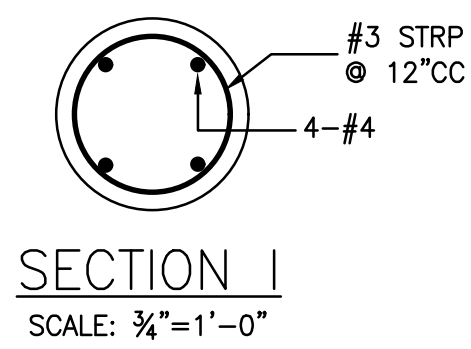
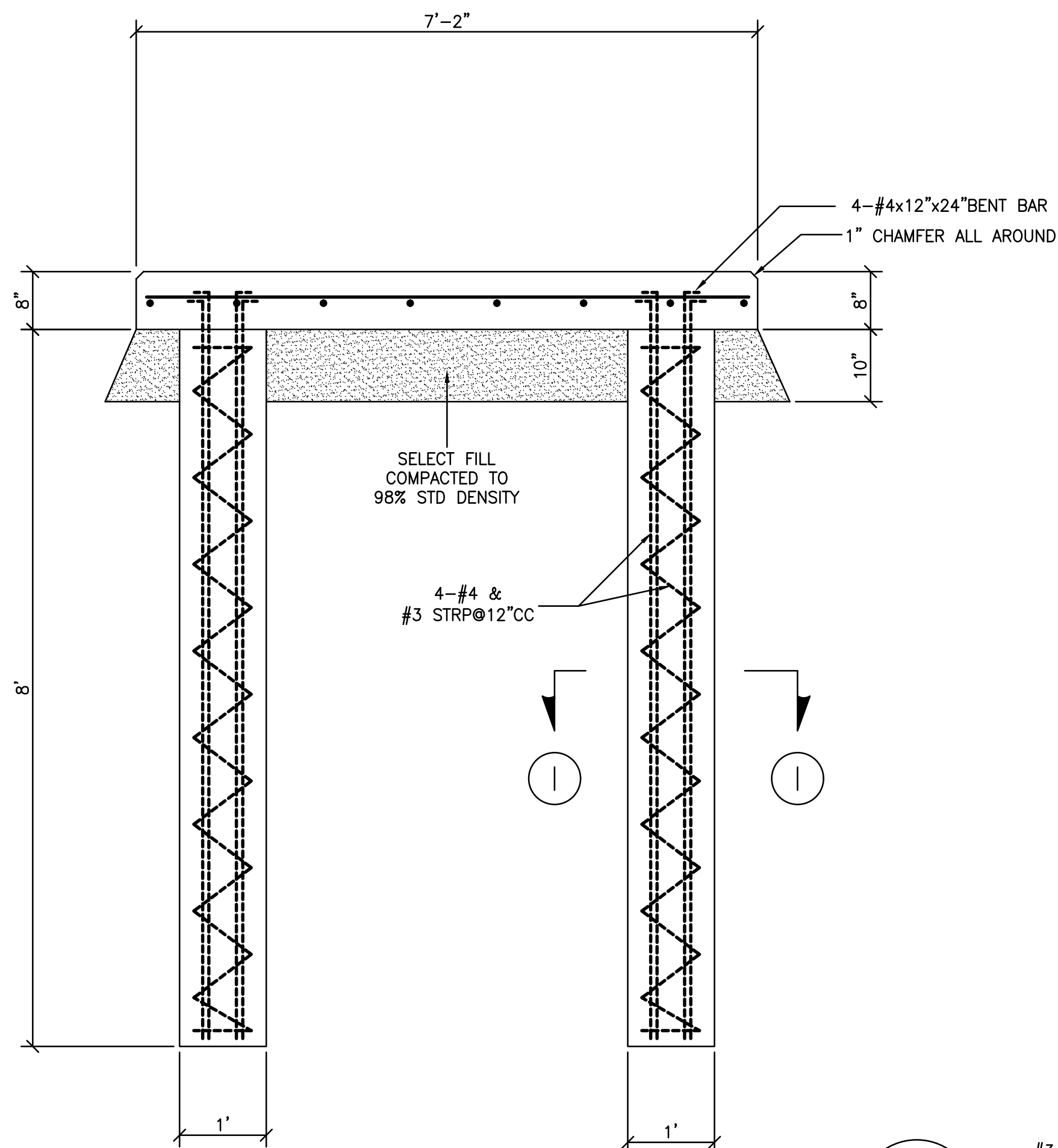
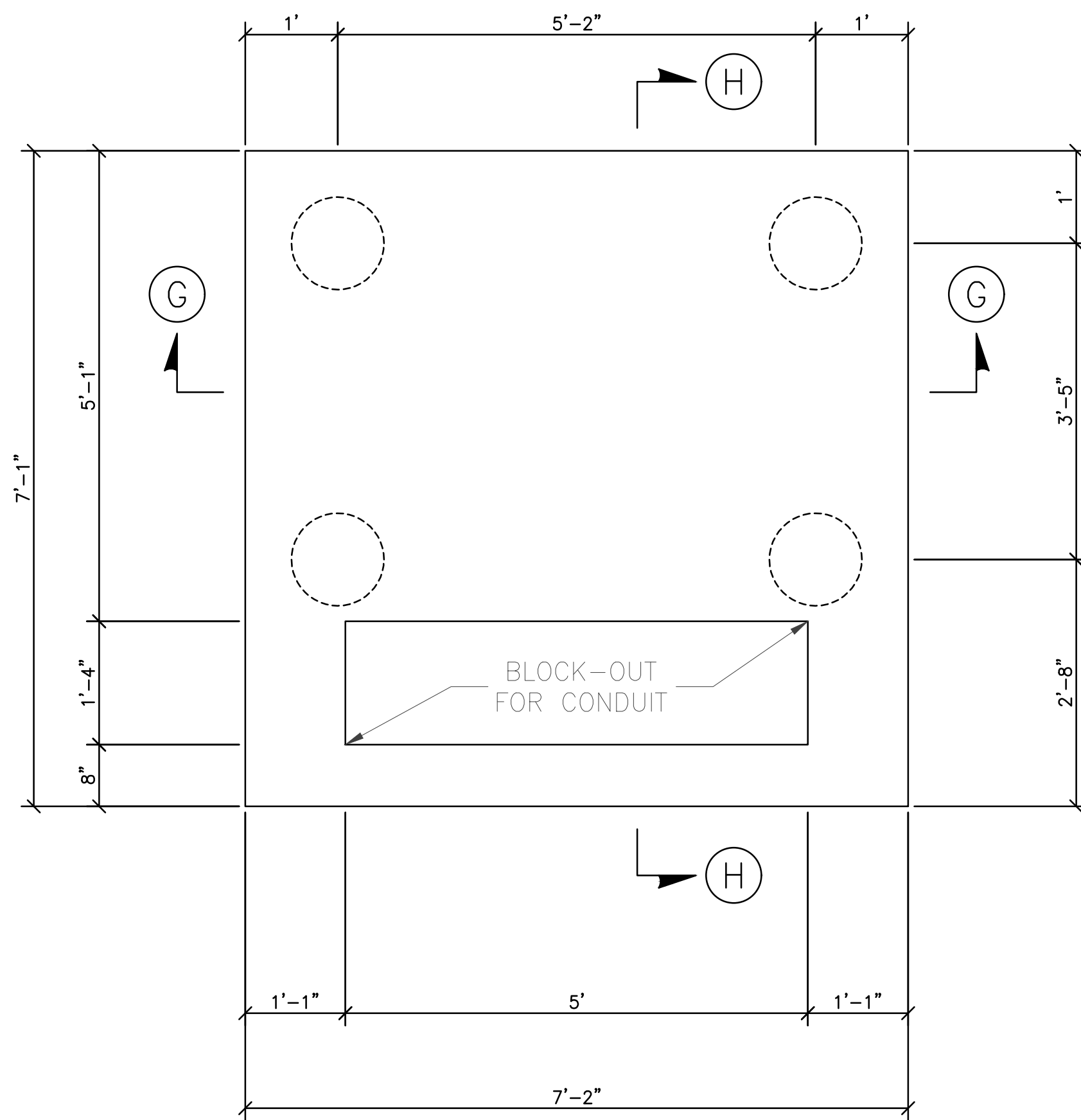

 JOHN D. MERCER & ASSOCIATES
 CONSULTING ENGINEERS
 TEXAS REGISTERED ENGINEERING FIRM F-324
 118 EAST MAIN STREET
 EDNA, TX 77957
 361-782-7121

BEE COUNTY, BEEVILLE, TEXAS
 COURTHOUSE EMERGENCY GENERATOR
GENERATOR ENCLOSURE

12/23

 JOHN D. MERCER, P.E. NO. 40374

DRAWN BY: REL
 CHECKED BY: JDM
 SCALE: 3/4" = 1'-0"

5	6
E2404	
GENERATOR ENCLOSURE	



JOHN D. MERCER & ASSOCIATES
CONSULTING ENGINEERS
TEXAS REGISTERED ENGINEERING FIRM F-324
118 EAST MAIN STREET
EDNA, TX 77957
361-782-7121

BEE COUNTY, BEEVILLE, TEXAS
COURTHOUSE EMERGENCY GENERATOR
TRANSFORMER PAD

12/23

 JOHN D. MERCER, P.E. NO. 40374

DRAWN BY: REL
 CHECKED BY: JDM
 SCALE: 3/4" = 1'-0"
 6 / 6
 E2404
 TRANSFORMER PAD